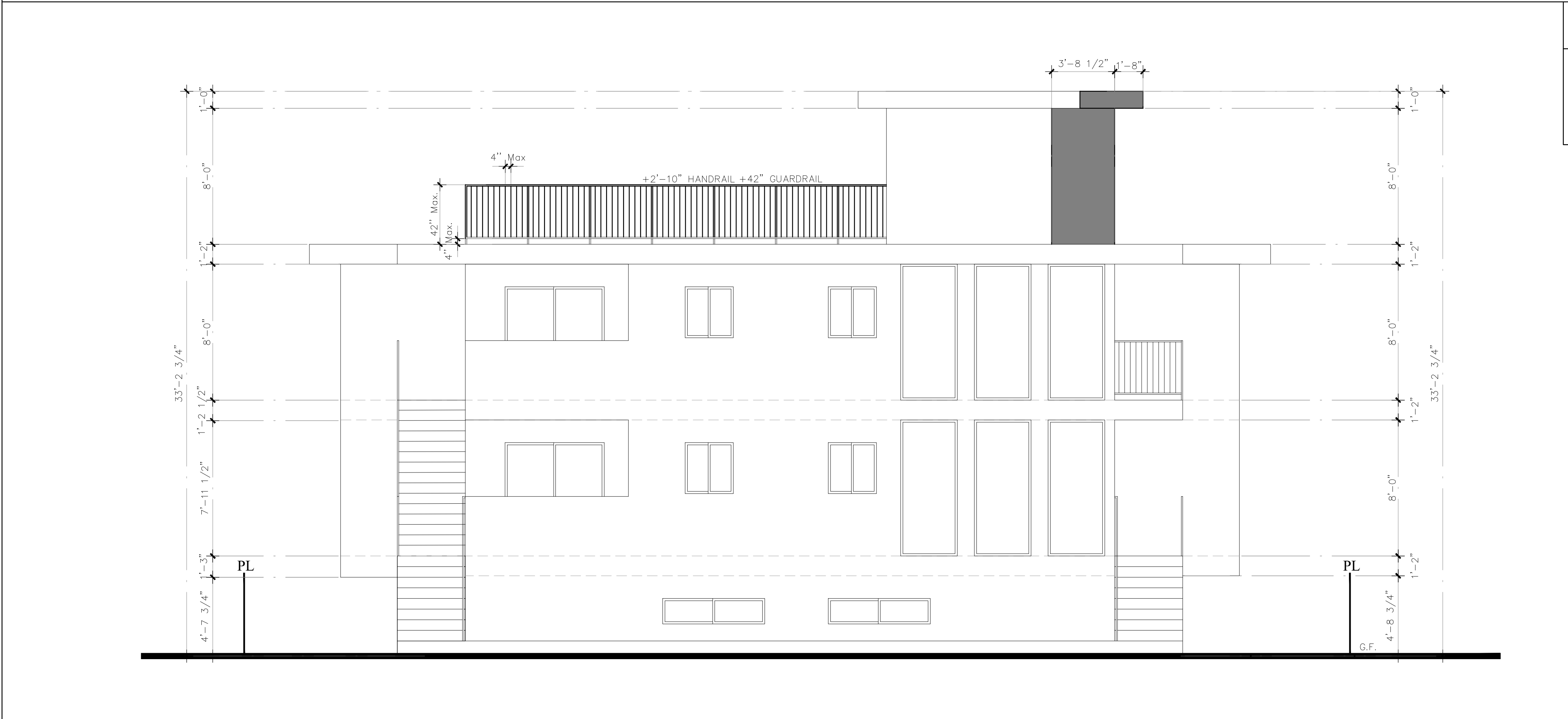


ELEVATION NORTH

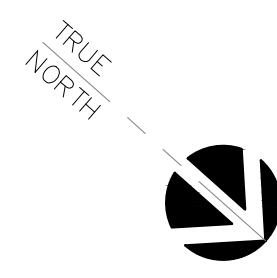
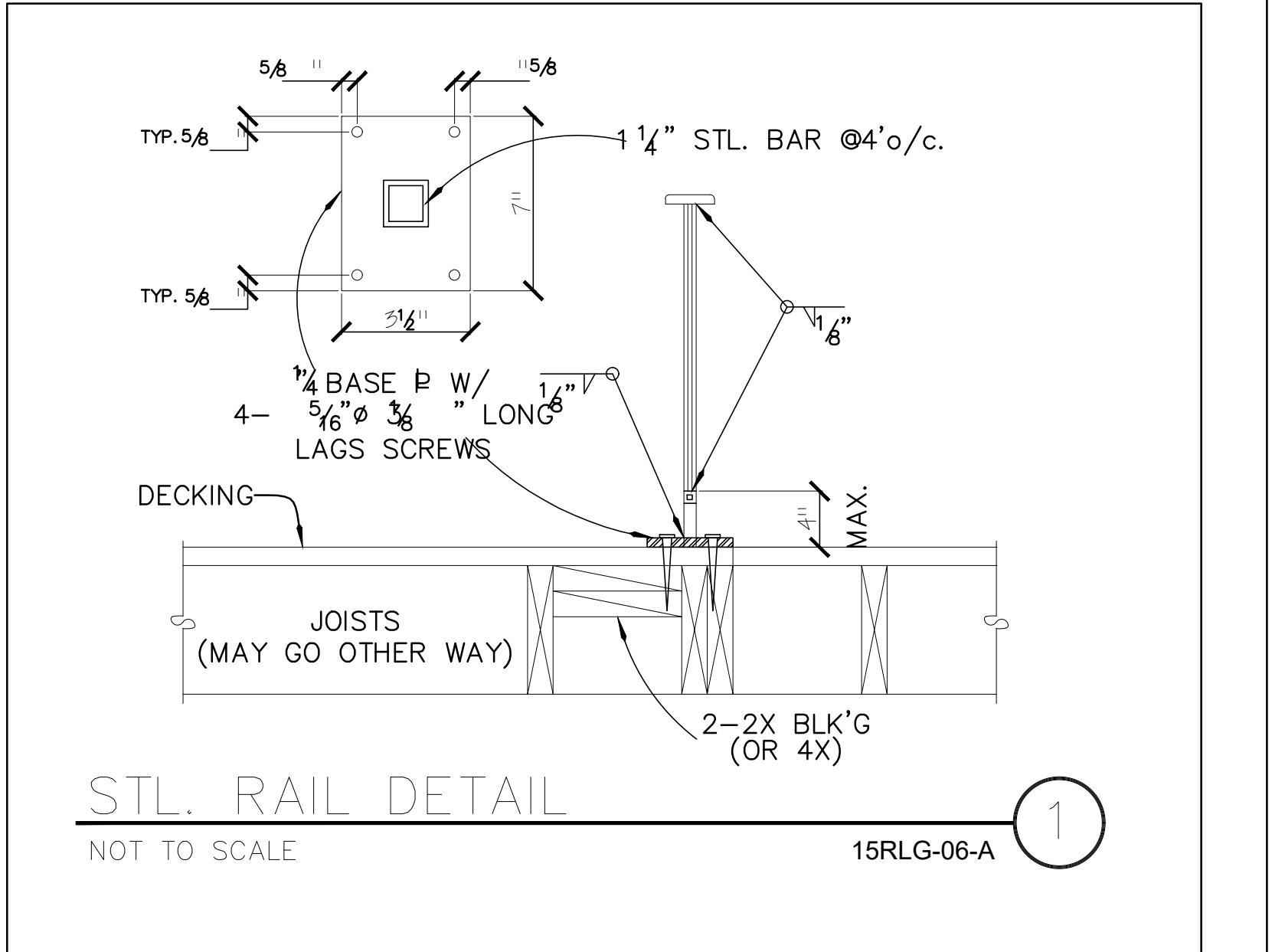
SCALE:
1/4"=1'-0"



ELEVATION EAST.

SCALE:
1/4"=1'-0"

LEGEND	
	[E] WALLS
	[N] 2x6 STUD @ 16" O.C. TYP. U.N.O.



SCALE:
1/4"=1'-0"

REVISIONS	BY

DRAWN BY:
ANDRES MENDOZA
PHONE: 661.360.23.44

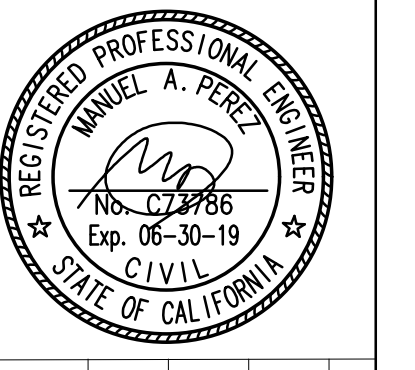
SCALE:

DATE:
JAN / 7/2019

818-4306545
manny@decia.biz

MANNY PEREZ

DECIA
BUILDING EXPERTS
20850 SORRENTO LN.
PORTER RANCH
CA 91326



MANUEL PEREZ PE#73786

MANUEL PEREZ PE#73786

APPLICANT
ENGINEER
OWNER
CONTRACTOR

249 S. CORONADO ST.
LOS ANGELES, CA 90057

TITLE
ELEVATIONS

SHEET NO.
A2.0

JOB NO.
1901