

REVISIONS	BY
DRAWN BY:	
ANDRES MENDOZA PHONE: 661.360.23.44	
SCALE:	
DATE:	
JAN / 7 / 2019	

818-4306545
manny@decia.biz
MANNY PEREZ

DECIA
BUILDING EXPERTS
20850 SORRENTO LN.
PORTER RANCH
CA 91326



MANUEL PEREZ
MANUEL PEREZ PE#73786
APPLICANT
ENGINEER
OWNER
CONTRACTOR

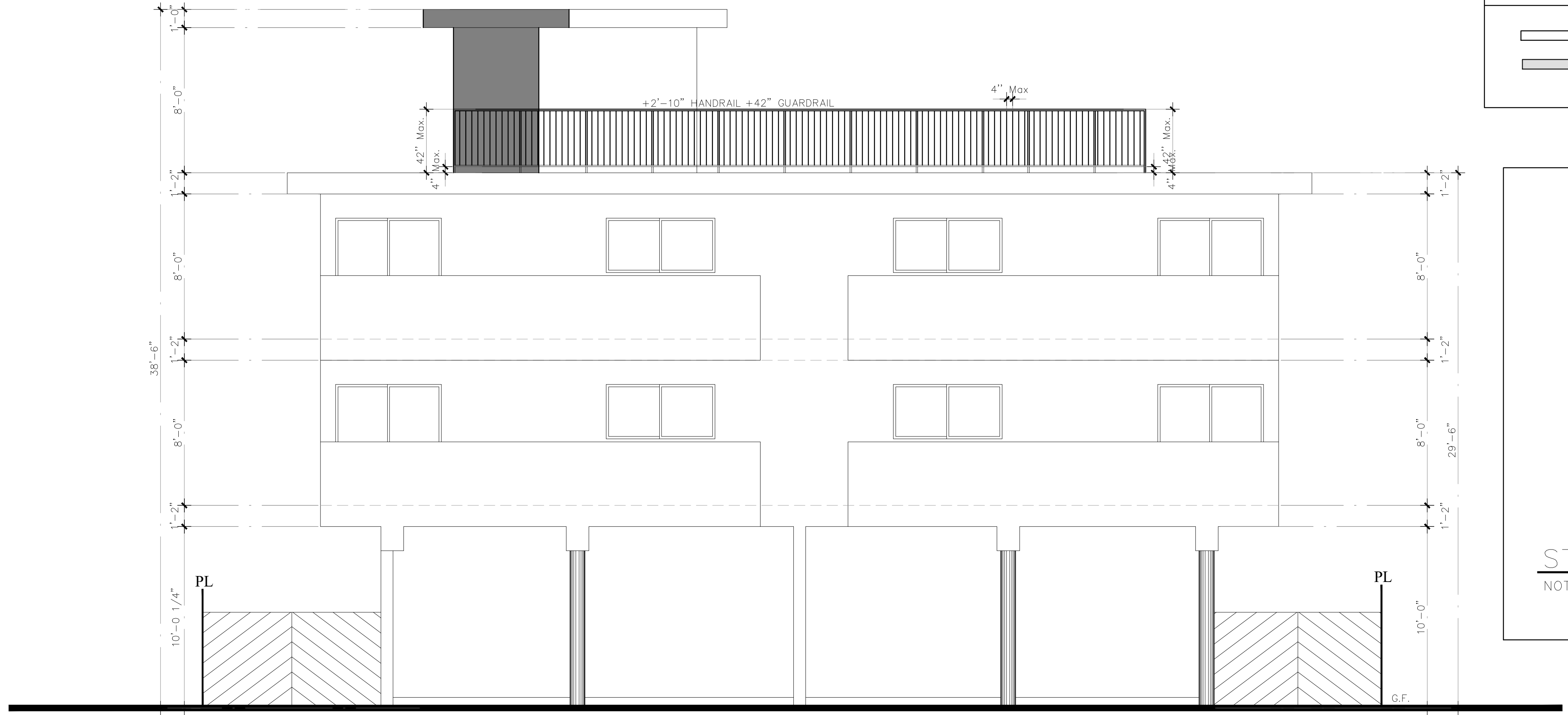
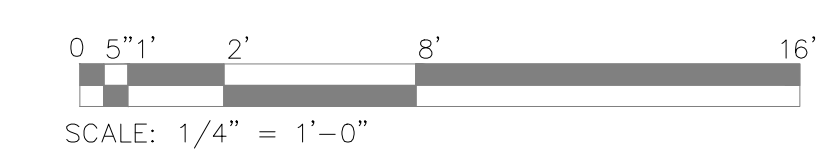
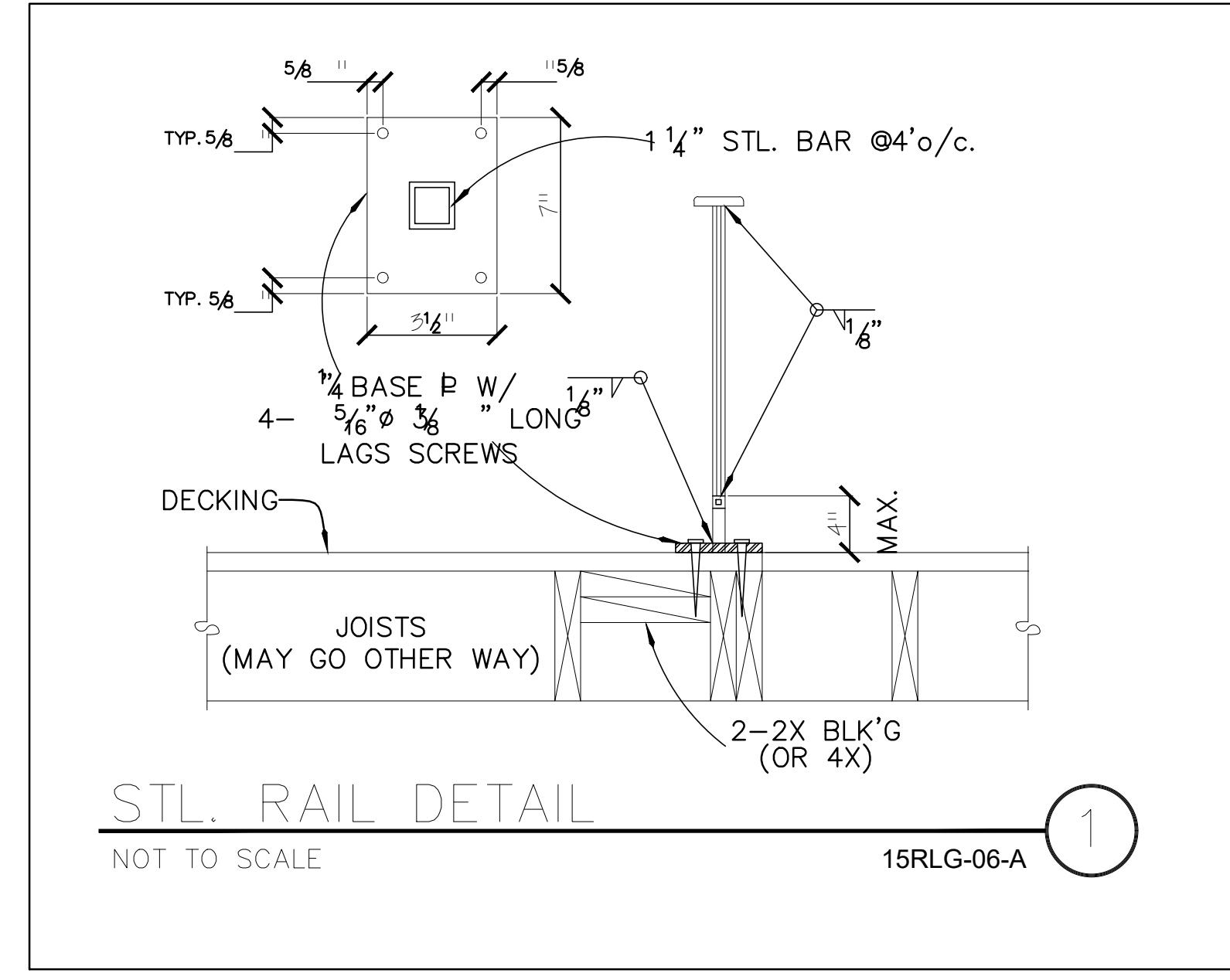
249 S. CORONADO ST.
LOS ANGELES, CA 90057

TITLE
ELEVATIONS

SHEET NO.
A2.1
JOB NO.
1901

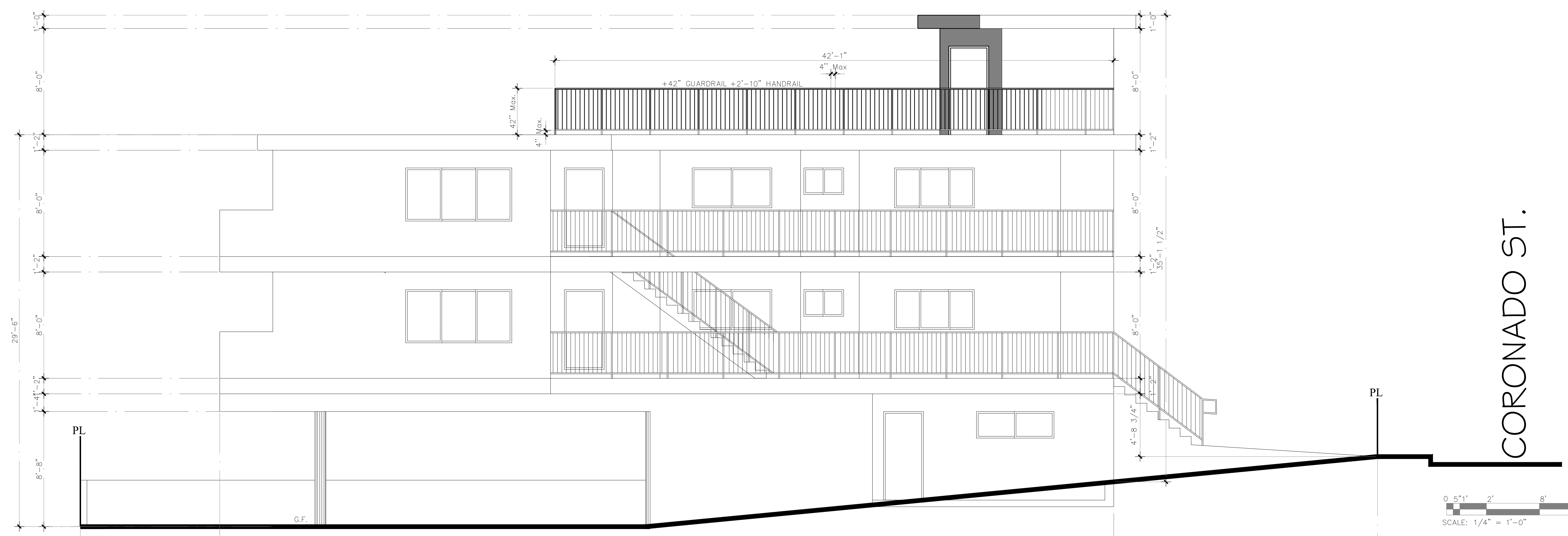
LEGEND

- [E] WALLS
- [N] 2x6 STUD @ 16" O.C. TYP. U.N.O.

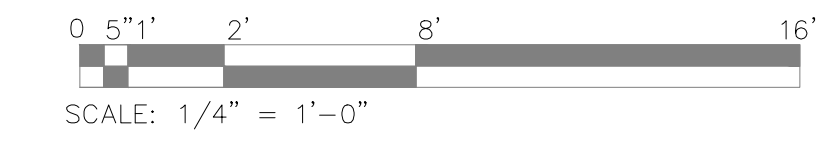


ELEVATION WEST

SCALE:
1/4" = 1'-0"



ELEVATION SOUTH



SCALE:
1/4" = 1'-0"

CORONADO ST.